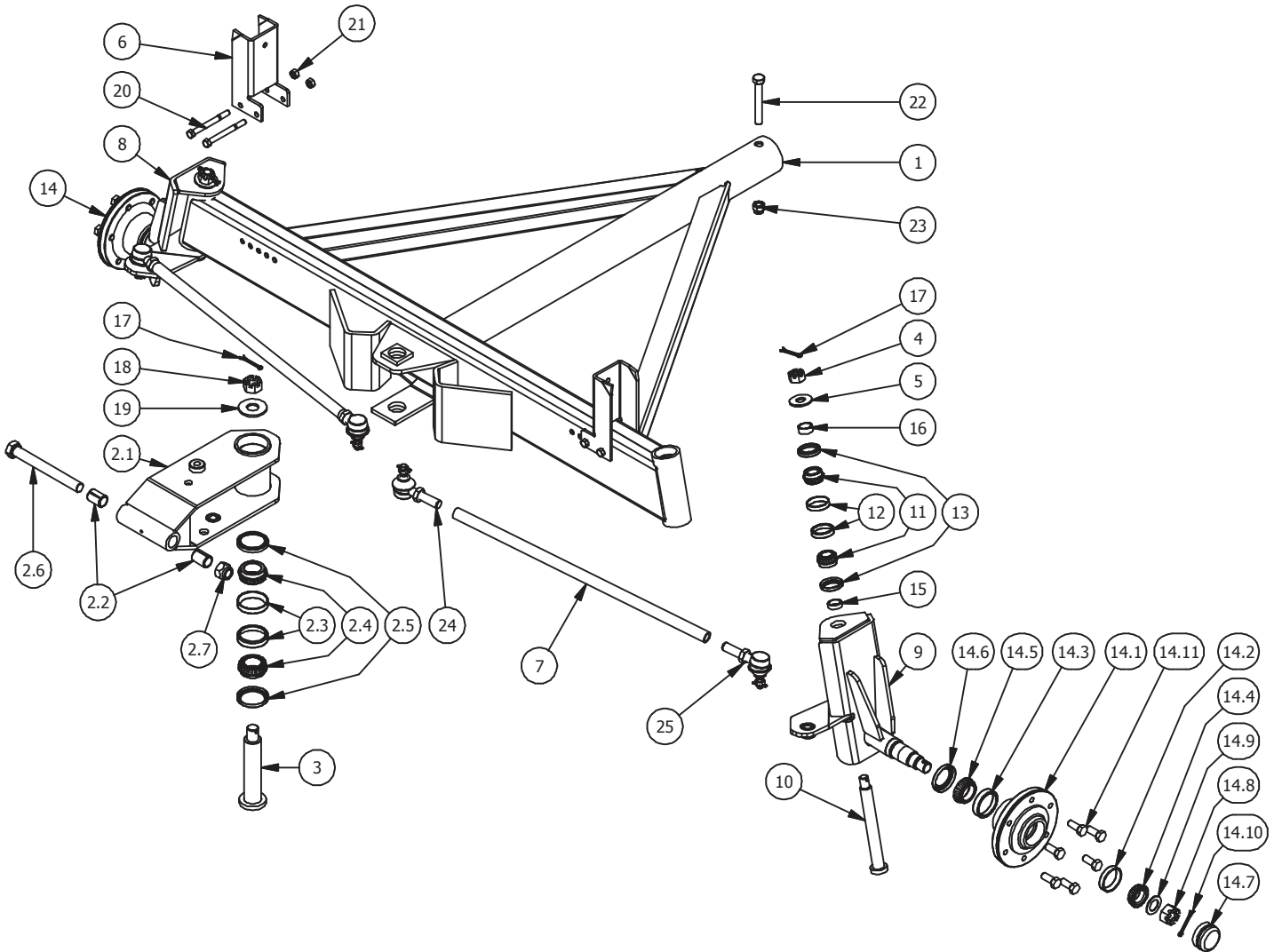


# MODEL 145 Front Axle



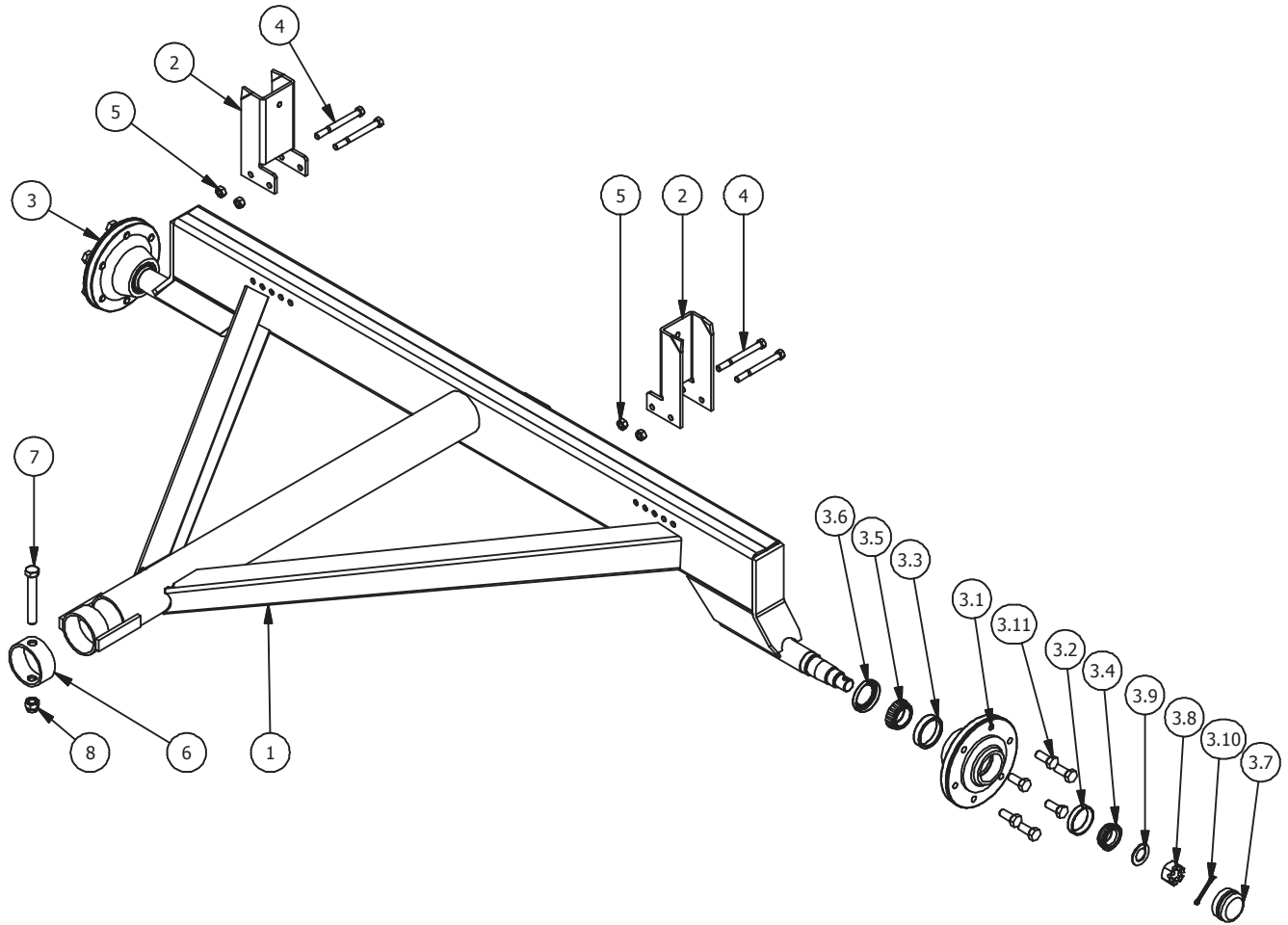
2006/2007/2008/2009/2010  
**MODEL 145 Front Axle**



Parts List			
ITEM	QTY	PART NUMBER	DESCRIPTION
1	1	22-1637	145 Front Axle Assembly
2.1	1	22-1008	Tongue Bracket
2.2	2	11-1012	[Bushing (1.125 x 0.875 x 1.5)]
2.3	2	11-1009	Cup (13620)
2.4	2	11-1010	Cone (13686)
2.5	2	11-1011	Seal (CR20952)
2.6	1	11-1030	7/8 x 8 Bolt
2.7	1	11-1029	7/8 Locknut
3	1	22-1013	Timkin Bolt
4	2	11-1015	3/4 Heavy Hex Slotted Nut
5	2	11-1014	3/4 Washer A
6	2	22-1022	Stake Post
7	2	22-1001	145 Tie Rod (27 1/2")
8	1	11-1421	Front Right Spindle Assembly
9	1	11-1422	Front Left Spindle Assembly
10	2	22-1423	Spindle Pin
11	4	11-1417	Cone(L44643A)
12	4	11-1418	[Cup(L44610)]
13	4	11-1419	[Seal(CR3596)]
14	2	33-1042	Hub c/w Parts (4000 lb)
14.1	1	11-1041	Hub (4000 lb)
14.2	1	11-1046	[Cup(LM67010)]
14.3	1	11-1045	[Cup(LM29710)]
14.4	1	11-1417	[Cone(L44649)]
14.5	1	11-1044	[Cone(LM29748)]
14.6	1	11-1043	[Seal(CR17415)]
14.7	1	11-1048	Dust Cap (D-4000)
14.8	1	11-1051	1" Slotted Hex Nut (1-14)
14.9	1	11-1050	1" Washer (1-0)
14.10	1	11-1016	3/16 x 2 Cotter Pin
14.11	6	11-1049	Wheel Bolt (9/16 x 1-3/4)
15	2	22-1430	Spacer Bushing (1"ID x 1 1/4"OD x .35")
16	2	22-1528	Spacer Bushing (1"ID x 1 1/4"OD x .85")
17	3	11-1016	3/16 x 2 Cotter Pin
18	1	11-1081	1" Heavy Hex Slotted Nut
19	1	11-1376	1" Washer
20	4	11-1023	7/16 x 4 1/2 Bolt & Nut
21	4	11-1635	7/16" Nut
22	1	11-1025	5/8 x 4 1/2 Hex Bolt & Locknut
23	1	11-1026	5/8 Lock Nut
24	2	11-1006	Right Standard Tie Rod End
25	2	11-1007	Left Standard Tie Rod End

2006/2007/2008/2009/2010  
**MODEL 145 Rear Axle**

**HORST**  
**WAGONS**



Parts List			
ITEM	QTY	PART NUMBER	DESCRIPTION
1	1	22-1039	145 Rear Axle Assembly
2	2	22-1022	Stake Post
3	2	33-1042	Hub c/w Parts (4000 lb)
3.1	1	11-1041	Hub (4000 lb)
3.2	1	11-1046	[Cup(LM67010)]
3.3	1	11-1045	[Cup(LM29710)]
3.4	1	11-1417	[Cone(L44649)]
3.5	1	11-1044	[Cone(LM29748)]
3.6	1	11-1043	[Seal(CR17415)]
3.7	1	11-1048	Dust Cap (D-4000)
3.8	1	11-1051	1" Slotted Hex Nut (1-14)
3.9	1	11-1050	1" Washer (1-0)
3.10	1	11-1016	3/16 x 2 Cotter Pin
3.11	6	11-1049	Wheel Bolt (9/16 x 1-3/4)
4	4	11-1023	7/16 x 4 1/2 Bolt & Nut
5	4	11-1635	7/16" Nut
6	1	22-1024	Retainer Ring
7	1	11-1025	5/8 x 4 1/2 Hex Bolt & Locknut
8	1	11-1026	5/8 Lock Nut